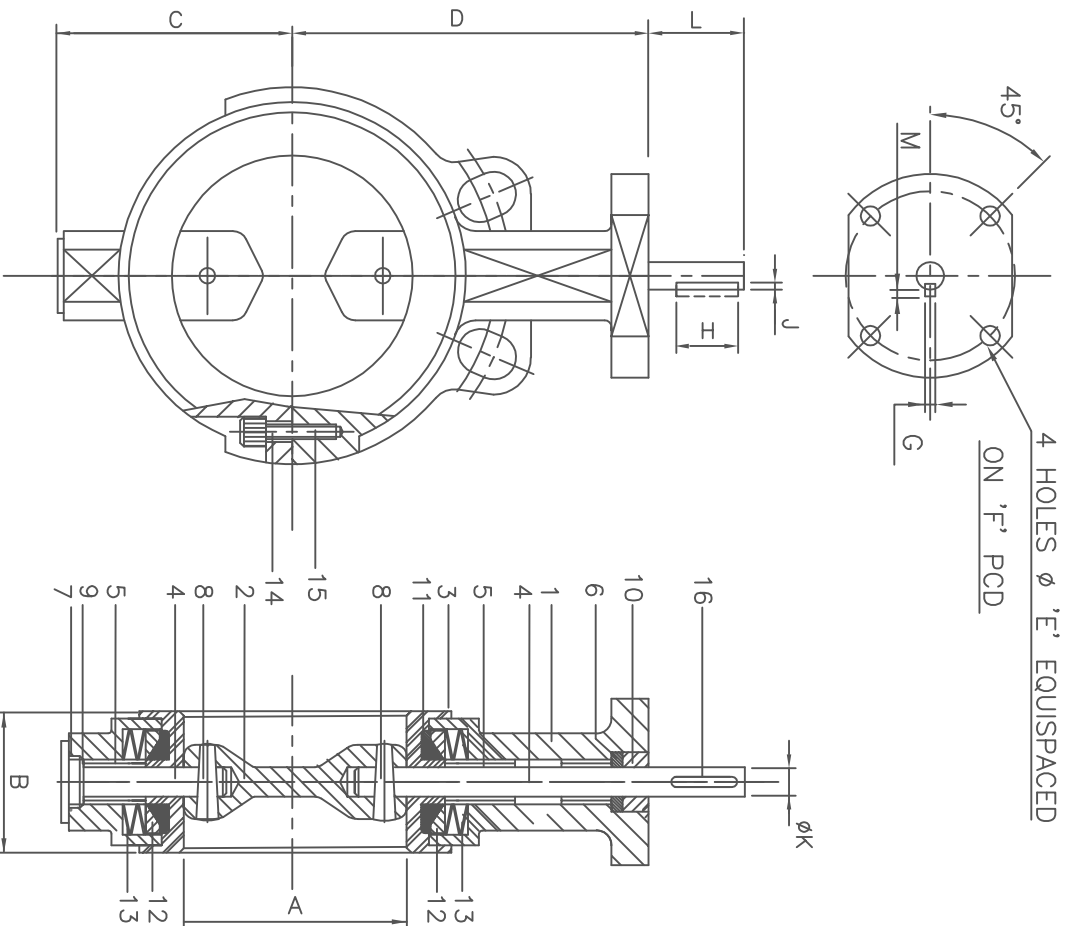


INTERVALVE® (ENGINEERING DATA SHEET)		DOC NO. : IVED-004
Title : Product Specification for IVTFE / IVTE model Butterfly Valve		REV NO. : 0
		DATE : 02/08/06
		PAGE NO. : 1 OF 1
GENERAL FEATURES	VALVE TYPE	CENTRIC DISC DESIGN BUTTERFLY
	VALVE MODEL	IVTFE / IVTE
	DESCRIPTION	PTFE LINED BUTTERFLY VALVE WITH A REPLACEABLE SEAT
	DESIGN, MFG. STD.	API 609 / BS 5155
	FACE TO FACE DIMENSION	API 609 (CATEGORY A) / ISO 5752 TAB 5
	TESTING STANDARD	API 598 / BS 6755 PART I / ANSI-FCI 70-2
	TOP FLANGE	ISO 5211.2
PRODUCT SPECS.	SIZE RANGE	50 NB TO 300 NB
	PRESSURE RATING	PN 2.5 / PN 6.0 / PN10
	OPERATING TEMP.	- 25° C ~ +200° C. (DEPENDING ON MOC)
	FLANGE STANDARD	ANSI 150; PN 10/16; NP1.0/1.6; BS 10 TAB D & E
	BODY TYPE	WAFER (WITH 2 PIECE SPLIT BODY)
	DISC TYPE	IVTFE - CENTRIC DESIGN WITH TAPER PIN DRIVE IVTE - CENTRIC DESIGN WITH ENCAPSULATED SQUARE DRIVE
	SEAT TYPE	REPLACEABLE LINER TYPE
	SEAT LEAKAGE	ZERO LEAK, TIGHT SHUT OFF
	FLOW DIRECTION	BIDIRECTIONAL
	PAINTING FINISH	EPOXY POWDER COATED (EXCEPT ST.STEEL)
MATL. OF CONSTRUCTION	BODY MATL.	SGI / WCB / CF8 / CF8M / 6Mo / ALLOY 20 / SUPER DUPLEX
	DISC MATL.	CF8 / CF8M / 6Mo / ALLOY 20 / HASTEALLOY / TITANIUM / OTHER SPL. ALLOYS
	SEAT MATL.	PTFE, GLASS FILLED PTFE
	BACK UP ELASTOMER	VITON / SILICON
	SHAFT MATL.	AISI 410 OR SS 316 SH
	BEARING MATL.	ST.STEEL BACKED PTFE (SELF LUBRICATING)
	SHAFT SEALING	O-RINGS
OPERATION	STD. PRESSED HAND LEVER	50 NB TO 150 NB
	CAST HAND LEVER	200 NB
	GEAR BOXES	250 NB TO 300 NB (OPTIONAL ON SMALLER SIZES)
	ACTUATOR (ELECT./PNEUMATIC)	OPTIONALLY AVAILABLE FOR FULL RANGE.
1. SPECIFICATION SUBJECT TO CHANGE WITHOUT NOTICE DUE TO CONTINUOUS IMPROVEMENT. 2. OTHER MATERIAL OPTIONS OR NON-STANDARD REQUIREMENTS AVAILABLE ON REQUEST.		
PREPARED BY		APPROVED BY

CAUTION:-DO NOT USE FLANGE GASKETS DURING VALVE INSTALLATION.

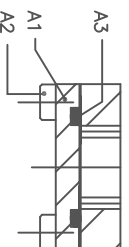


VALVE DIMENSION

VALVE SIZE	A	B	C	D	E	F	G	H	J	K	M	L
50	50	43	73	113	9	70	4	20	2.5	12	1.5	32
65	65	46	80	121	9	70	4	20	2.5	12	1.5	32
80	80	46	88	128	9	70	4	20	2.5	12	1.5	32
100	100	52	104	146	9	70	5	20	3	16	2	32
125	125	56	116	158	9	70	5	20	3	16	2	32
150	150	56	138	174	11	102	6	20	3.5	20	2.5	32
200	200	60	163	198	11	102	6	20	3.5	20	2.5	32
250	250	68	210	245	11	102	8	25	4	30	3	50
300	300	78	235	270	14	125	8	25	4	30	3	50

@@ - FOR MATERIALS PLEASE ENQUIRE

FLANGE STD:-PN10/PN16/ASA150
 VALVE RATING-PN10
 TEST STD-API 598
 MFG.STD-API 609
 HYD TEST PRESS-1)BODY:-15 KG/CM2
 2)SEAT:11KG/CM2
 * 200NB AND ABOVE
 TAPER PIN QTY-2



BOTTOM DETAILS FOR 250 & 300NB

A3 O RING	1	VITON
A2 SOC.HD CAP SCREW	4	AS1 304
A1 COVER	1	CS/AS1 316

16	KEY	1	EN8
15	SOC CAP SCREW SET	1	AS1 304
14	SPRING WASHER SET	1	AS1 304
13	DISC SPRING SET	1	AS1 304
12	PUSHER	2	AS1 304
11	ELASTOMER	2	VITON
10	TOP BUSHING	1	POLYACETAL
9	PLUG	1	C-15/AS1 316
8	TAPER PIN	1	AS1 316
7	O RING PLUG	1	VITON
6	O RING SHAFT	1	VITON
5	BEARING	2	ST.STEEL+PTFE
4	SHAFT	2	@@
3	SEAT	1	@@
2	DISC	1	@@
1	BODY	1	@@

IV NO:-	APPD	DT.
TQ NO:-	CHKD	DT.
TITLE		DRN.
WFE BUTTERFLY VALVE WITH BARE SHAFT		DT.
DRG.NO. PD14526/MDS046		BMW
		30.8.05

INTERVALVE

REV.	MOD.NO.	DATE	SIGN	IF IN DOUBT. ASK.	SCALE N.T.S.
------	---------	------	------	----------------------	-----------------

CUSTOMER:-