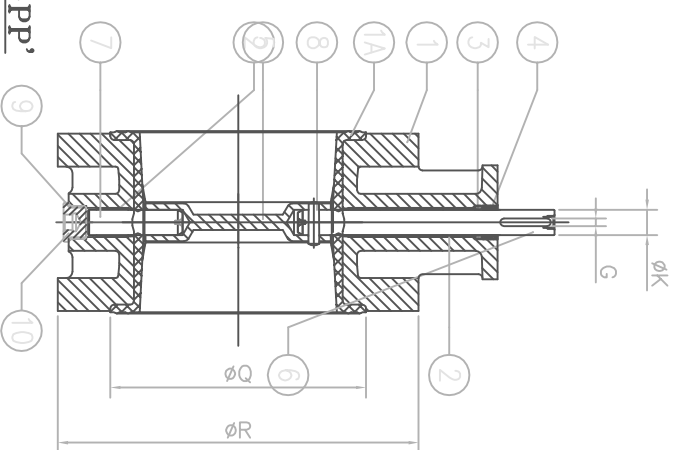
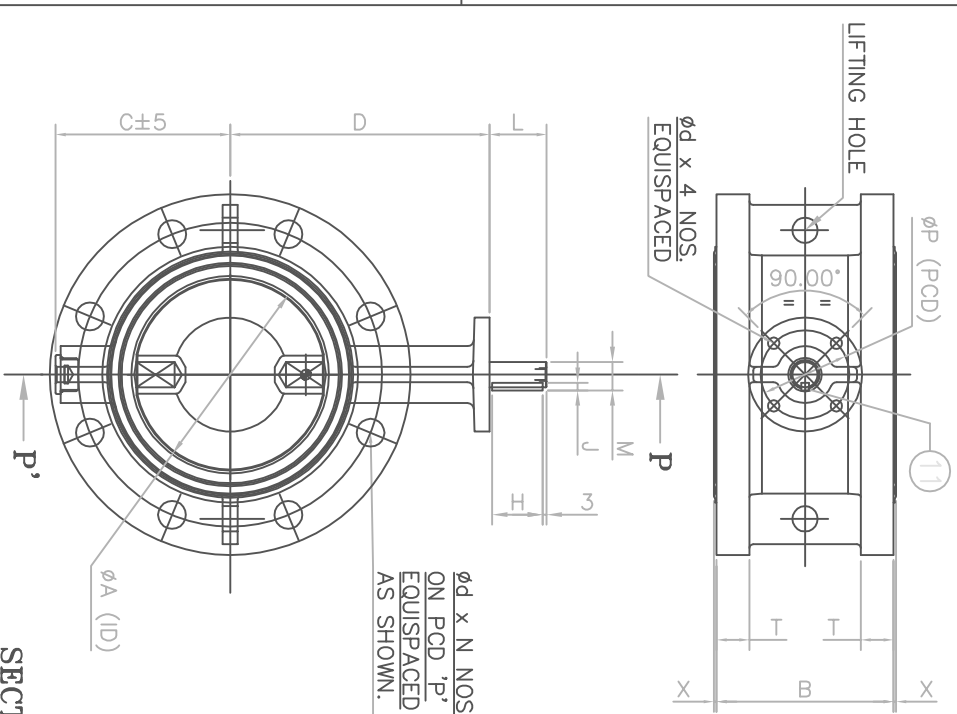


INTERVALVE (ENGINEERING DATA SHEET)		DOC NO. : IVED-011
Title : Product Specification for IVDF model Butterfly Valve		REV NO. : 0
		DATE : 17/08/05
		PAGE NO. : 1 OF 1
GENERAL FEATURES	VALVE TYPE	CENTRIC DISC BUTTERFLY
	VALVE MODEL	IVDF
	DESCRIPTION	DOUBLE FLANGED BUTTERFLY VALVE WITH A RUBBER LINED BODY
	DESIGN, MFG. STD.	BS5155 DOUBLE FLANGED SHORT / EN593
	FACE TO FACE DIMENSION	BS5155 / API609
	TESTING STANDARD	API 598 / BS 6755 PT I
	TOP FLANGE	ISO 5211.1
PRODUCT SPECS.	SIZE RANGE	50 NB TO 1600 NB
	OPERATING TEMPERATURE	- 25° C ~ +140° C. (DEPENDING ON MOC)
	PRESSURE CLASS RATING	To PN10/16 / ANSI c1150lb
	BODY TYPE	DOUBLE FLANGED
	FLANGE STANDARDS	ANSI 150; DIN PN 6/10/16/25; JIS 5K/ 10K/16K; BS 10 TAB D & E
	DISC TYPE	CENTRIC DESIGN WITH TAPER PIN DRIVE
	SEAT TYPE	INTEGRALLY MOULDED WITH BODY
	SEAT LEAKAGE	ZERO LEAK, TIGHT SHUT OFF
	FLOW DIRECTION	BIDIRECTIONAL
	PAINTING & FINISH	EPOXY COATED (EXCEPT ST. STEEL)
MATL. OF CONSTRUCTION	BODY MATL.	SGI / CF8 / CF8M / WCB / AISI316 / AB2 / 6Mo / DUPLEX /SUPER DUPLEX / OTHERS ON REQUEST
	DISC MATL.	SGI / CF8 / CF8M / WCB / AISI316 / AB2 / 6Mo / DUPLEX /SUPER DUPLEX / TITANIUM / OTHERS ON REQUEST
	SEAT & ENCAPSULATION	NITRILE, EPDM, HYPALON, OTHERS ON REQUEST
	SHAFT MATL.	AISI 430 / 316 OTHERS ON REQUEST
	BEARING FOR SHAFT	ST.STEEL BACKED PTFE (SELF LUBRICATED)
	SHAFT SEALING	O-RINGS
OPERATION	STD. PRESSED HAND LEVER	FOR SIZES 50 NB TO 200 NB ONLY
	GEAR BOX	250 NB AND ABOVE (OPTIONAL ON SMALLER SIZES)
	ACTUATOR (ELECT. / PNEUMATIC)	OPTIONALLY AVAILABLE ON FULL RANGE.
1. SPECIFICATION SUBJECT TO CHANGE WITHOUT NOTICE DUE TO CONTINUOUS IMPROVEMENT. 2. OTHER MATERIAL OPTIONS OR NON-STANDARD REQUIREMENTS AVAILABLE ON REQUEST.		
PREPARED BY		APPROVED BY

VALVE SIZE	A	B	C	D	ØE	ØF	G	H	J	ØK	L	M	ØR	T	FLANGE DRILLING & DETAILS					WEIGHT IN Kgs.	QTY.
															Ø d	N	Ø P	Ø Q	X		
80 MM	80	114	90	158	7	50	4	25	4	12	30	14.8	200	22	18	8	160	118	2.0		
100 MM	100	127	110	168	7	50	5	25	5	16	30	18.3	230	24	18	8	180	148	2.0		
125 MM	125	140	122	180	9	70	5	30	5	16	35	18.3	255	26	18	8	210	145	2.0		
150 MM	150	140	138	205	9	70	6	30	6	20	35	23.3	285	26	22	8	240	203	2.0		
200 MM	200	152	162	227	9	70	6	30	6	20	35	23.3	345	30	22	12	295	258	2.0		



SECTION-PP'

-ALL DIMENSIONS ARE IN MM

PROJECT: - -
END USER: - -

REV. MOD.NO. DATE SIGN IF IN DOUBT. ASK... SCALE N.T.S. CUSTOMER :- P.O. NO. :-

SPECIFICATION -

FLANGE STD. - PN10/16/ASA c11501b
VALVE RATING - PN16.
VALVE LEAKAGE - TIGHT SHUT OFF.
MFG. STD. - BS 5155.
TEST STD. - API598 / BS6755 PART-1.
HYD. TEST PRESSURE - BODY :- 24 Kg/cm².
SEAT :- 17.6 Kg/cm².

NOTES :-

- 1) TOP FLANGE DRILLING AS PER ISO 5211 STD.
- 2) FOR VALVE FLANGE DRILLING REFER FLANGE STD.

CAUTION DO NOT USE FLANGE GASKETS DURING VALVE INSTALLATION.

☉☉ - FOR MATERIALS PLEASE ENQUIRE

11	PARALLEL KEY	1	☉☉		
10	BOTTOM PLUG	1	☉☉		
9	O-RING BOT.	2	☉☉		
8	TAPER PIN	1	☉☉		
7	BOTTOM SHAFT	1	☉☉		
6	TOP SHAFT	1	☉☉		
5	DISC	1	☉☉		
4	TOP BUSH	1	POLYACETAL		
3	O-RING TOP SHAFT	1	☉☉		
2	GLACIER BEARING	2	☉☉		
1A	SEAT (BONDED)	1	☉☉		
1	BODY	1	☉☉		
NO	DESCRIPTION	QTY	MAKE/MATERIAL		
TQ. NO. - TQ:092/05				APPD.	
IV NO. -				DT.	

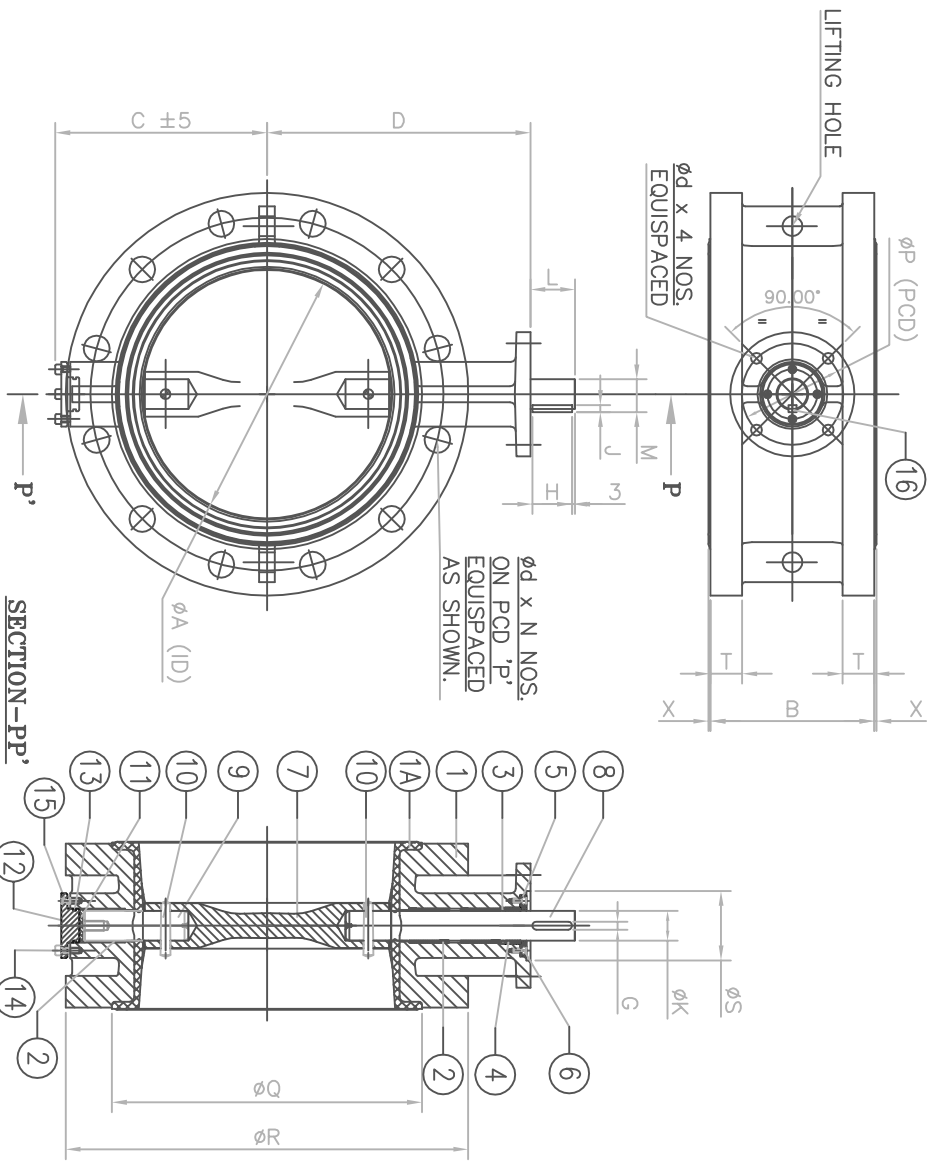
TITLE: DOUBLE FLANGED BONDED BRV
DCB-BC/PN16 WITH STD. BARE SHAFT

DRG.NO. PD14402/MDS291

INTERVALVE

CHKD. DT. DTD
DRN. DT. 05/08/05

VALVE SIZE	A	B	C	D	ØE	ØF	G	H	J	ØK	L	M	ØR	ØS	T	FLANGE DRILLING & DETAILS					WEIGHT IN Kgs.	QTY.
																Ø d	N	Ø P	Ø Q	X		
250 MM	250	165	215	266	11	102	8	40	7	30	45	33.3	405	70	32	26	12	355	312	2.0		
300 MM	300	178	240	291	11	102	8	40	7	30	45	33.3	485	70	32	26	12	410	365	2.0		
350 MM	350	190	275	332	14	125	8	50	7	30	55	33.3	535	85	36	26	16	470	415	2.0		
400 MM	386	216	315	365	18	140	12	60	8	40	65	43.3	600	100	38	30	16	525	465	2.5		
450 MM	436	222	340	397	18	140	12	60	8	40	65	43.3	640	100	40	30	20	585	520	2.5		
500 MM	486	229	365	437	18	140	12	60	8	40	65	43.3	715	100	42	33	20	650	570	2.5		



REV.	MOD. NO.	DATE	SIGN	IF IN DOUBT, ASK...	SCALE	N.T.S.	CUSTOMER :-	P.O. NO. :-
							PROJECT: - -	
							END USER: - -	

SPECIFICATION -

FLANGE STD - PN10/PN16, ASA 150 cl150lb
 VALVE RATING - PN16.
 VALVE LEAKAGE - TIGHT SHUT OFF.
 MFG. STD. - BS 5155.
 TEST STD. - API598 / BS6755 PART-1.
 HYD. TEST PRESSURE - BODY :- 24 Kg/cm².
 SEAT :- 17.6 Kg/cm².

- NOTES :-**
- 1) TOP FLANGE DRILLING AS PER ISO 5211 STD.
 - 2) FOR VALVE FLANGE DRILLING REFER FLANGE STD.

CAUTION DO NOT USE FLANGE GASKETS DURING VALVE INSTALLATION.

☉☉ - FOR MATERIALS PLEASE ENQUIRE

PARALLEL KEY	QTY	00
16 PARALLEL KEY	1	00
15 SOC. HD. GRUB SCREW	4	00
14 SOC. HD. CAP SCREW	4	00
13 O-RING BOT.	1	00
12 BOTTOM COVER	1	00
11 THRUST PAD	1	00
10 TAPER PIN	2	00
9 BOTTOM SHAFT	1	00
8 TOP SHAFT	1	00
7 DISC	1	00
6 SOC. HD. CAP SCREW	4	00
5 TOP RETAINER PLATE	1	00
4 TOP BUSH	1	00
3 O-RING TOP SHAFT	1	00
2 GLACIER BEARING	3	00
1A SEAT (BONDED)	1	00
1 BODY	1	00

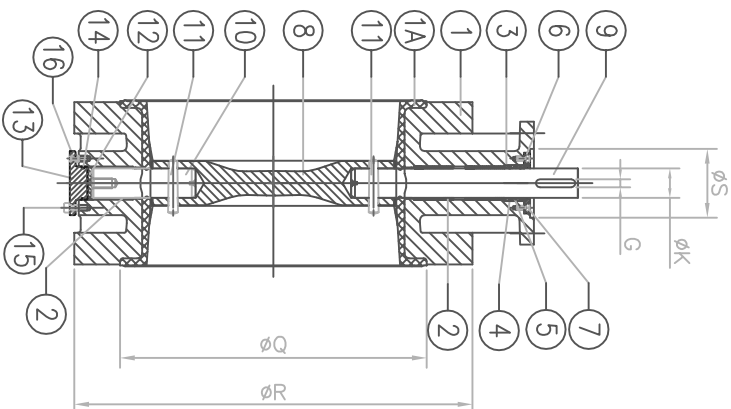
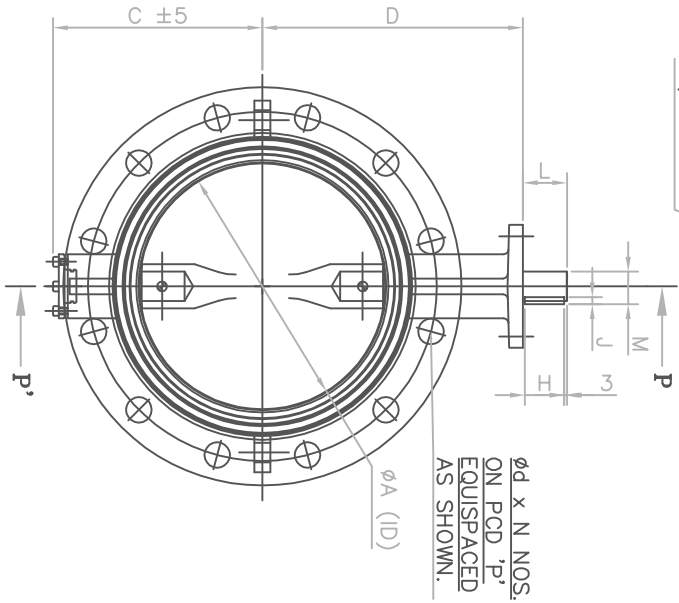
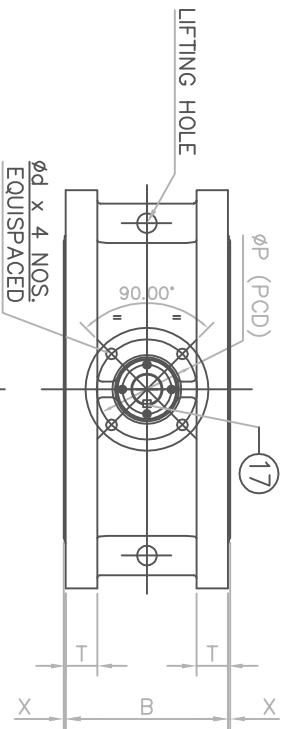
NO	DESCRIPTION	QTY	MAKE/MATERIAL
1	BODY	1	00

TQ. NO. - TQ:092/05
 IV. NO. - ---
 TITLE: DOUBLE FLANGED BONDED BFV
 DCB-BC/PN16 WITH STD. BARE SHAFT
 DRG. NO. PD14403/MDS291

INTERVALVE

DRN. DT. 04/08/05

VALVE SIZE	A	B	C	D	ØE	ØF	G	H	J	ØK	L	M	ØR	ØS	T	FLANGE DRILLING & DETAILS					WEIGHT IN Kgs.	QTY.
																Ød	N	ØP	ØQ	X		
600 MM	586	267	440	502	22	165	14	70	9	50	80	53.8	840	130	48	36	20	770	670	2.5		



SECTION-PP'

SPECIFICATION -
 FLANGE STD. - PN10/PN16/ASA 150 d150lb
 VALVE RATING - PN16.
 VALVE LEAKAGE - TIGHT SHUT OFF.
 MFG. STD. - BS 5155.
 TEST STD. - API598 / BS6755 PART-1.
 HYD. TEST PRESSURE - BODY :- 24 Kg/cm².
 SEAT :- 17.6 Kg/cm².

- NOTES :-**
 1) TOP FLANGE DRILLING AS PER ISO 5211 STD.
 2) FOR VALVE FLANGE DRILLING REFER FLANGE STD.

☉ - FOR MATERIALS PLEASE ENQUIRE

CAUTION DO NOT USE FLANGE GASKETS DURING VALVE INSTALLATION.

17	PARALLEL KEY	1	☉☉
16	SOC. HD. GRUB SCREW	4	☉☉
15	SOC. HD. CAP SCREW	4	☉☉
14	O-RING BOTTL.	1	☉☉
13	BOTTOM COVER	1	☉☉
12	THRUST PAD	1	☉☉
11	TAPER PIN	2	☉☉
10	BOTTOM SHAFT	1	☉☉
9	TOP SHAFT	1	☉☉
8	DISC	1	☉☉
7	SOC. HD. CAP SCREW	4	☉☉
6	TOP RETAINER PLATE	1	☉☉
5	O-RING OD	1	☉☉
4	O-RING ID	2	☉☉
3	O-RING HOLDER	1	☉☉
2	GLACIER BEARING	3	☉☉
1A	SEAT (BONDED)	1	☉☉
1	BODY (BONDED)	1	☉☉
NO	DESCRIPTION	QTY	MAKE/MATERIAL
TQ. NO. -	TQ.092/05		
IV NO. -			
APPD.			
CHKD.			
DT.			
DRN.			
DT.			

TITLE: DOUBLE FLANGED BONDED BRV
 DCB-BQ/PN16 WITH STD. BARE SHAFT
 DRG.NO. PD14404/MDS291

INTERVALVE

REV.	MOD.NO.	DATE	SIGN	IF IN DOUBT. ASK...	SCALE N.T.S.	CUSTOMER :-	P.O. NO. :-	PROJECT: -	END USER: -

-ALL DIMENSIONS ARE IN MM