

SWING CHECK VALVES—Class 600#、900#

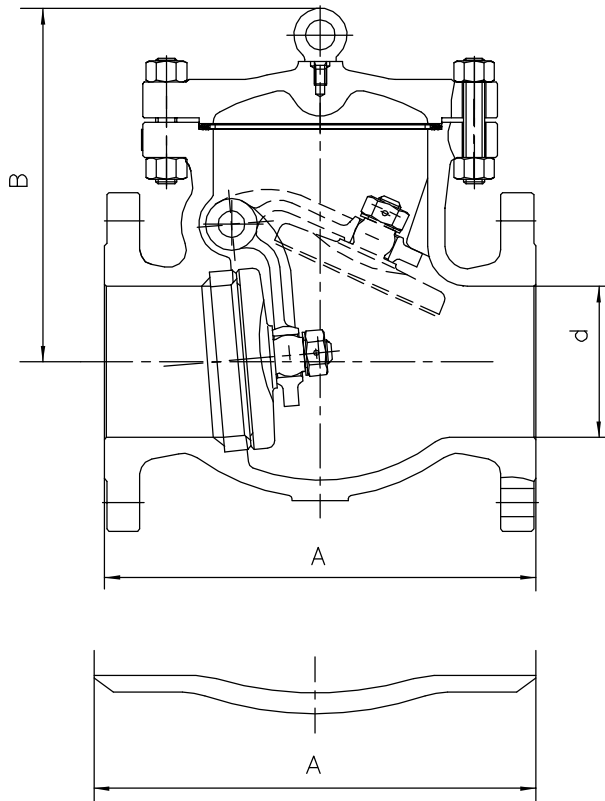
Size range: 2" to 54"

Size range: 2" to 36"

Class 600# Fig NO. 275(RF/RTJ)
275 1/2 (BW)

DIMENSIONS AND WEIGHTS

Size inch	d	A		B		Weight(kg)	
		RF & BW	B	RF & BW	RF & BW	RF & BW	
2"	51	292	200	36	28		
3"	76	356	226	68	57		
4"	102	432	261	111	83		
6"	152	559	340	230	191		
8"	200	660	443	416	361		
10"	248	787	490	673	543		
12"	298	838	495	875	770		
14"	327	889	546	944	773		
16"	387	991	612	1220	1015		
18"	419	1092	686	1620	1350		
20"	464	1194	753	2120	1750		
24"	559	1397	890	3100	2520		
30"	695	1651	1100	3859	3158		



Class 900# Fig NO. 287(RF/RTJ)
287 1/2 (BW)

DIMENSIONS AND WEIGHTS

Size inch	d	A		B		Weight(kg)	
		RF & BW	B	RF & BW	RF & BW	RF & BW	
2"	47	368	241	69	52		
3"	73	381	241	91	70		
4"	98	457	267	145	112		
6"	146	610	394	259	218		
8"	191	737	406	565	448		
10"	238	838	500	900	733		
12"	282	965	572	1200	975		
14"	311	1029	630	1500	1240		
16"	356	1130	720	2130	1760		
18"	400	1219	800	2500	2105		
20"	445	1321	870	3200	2895		
24"	533	1549	1000	4700	4025		

STANDARDS:

Design	ANSI B16.34&BS 1868
Test	API 598
Face to Face Dimensions	ANSI B16.10
End Flange Dimensions	ANSI B16.5(2" ~24")
	ANSI B16.47(30" ~54")
Butt-Weld Ends	ANSI B16.25

Other Sizes: On request

RF: Flanged BW: Butt Weld

AVAILABLE OPTIONS:

STRUCTURE	End, Connection: Flange Raised Face, Butt Weld, RTJ...
	Seat Rings: Threaded (Renewable), Welded
*MATERIAL	Body: WCB, WC1, WC6, WC9, LCB, LCC, LC3, C5, C12, CF8, CF8M, CF3, CF3M, CF8C...
	Trims: 13%Cr, 304, 304L, 316, 316L, 321, 347, F-51, Monel...
Accessories	Hydraulic Damper, Counter Weight (Lever + Weight)

*Please refer to page of "Build Material"